

# FagronLab™ UVGI-80

User Manual



# Table of contents

1. Performance and Main Features .....	4
2. Application Area .....	4
3. Bactericidal Factors and Strength .....	4
4. Microbial Category .....	4
5. Technical Parameter .....	4
6. Functions and Use .....	5
7. Installation .....	5
8. Operation .....	5
9. Attention .....	5
10. Trouble Shooting .....	6
11. Maintenance .....	6
12. Warranty .....	6
13. Service .....	7
14. Transportation and Storage .....	7
15. Circuit diagram.....	7

# FagronLab™ UVGI-80

## 1. Performance and Main Features

FagronLab™ UVGI-80 device is using high-intensity ultraviolet germicidal lamp, a disinfection method which can be used for air disinfection in work places where health professionals are exposed to contagious risks factors.

## 2. Application Area

It is suitable for dynamic indoor air disinfection in pharmacies, medical examination cabinets, waiting rooms, hospital rooms, food, beverage and pharmaceutical factories.

## 3. Bactericidal Factors and Strength

The main bactericidal factor used ultraviolet irradiation (UV-C) through short-wavelength ultraviolet. UV lamps meet the technical requirements achieving 254nm of strength.

## 4. Microbial Category

Germicidal lamp is a special type of lamp which produces ultraviolet (UVC) light. This short-wave ultraviolet light disrupts DNA base pairing causing formation of pyrimidine dimers and leads to the inactivation of bacteria, viruses, and protozoa.

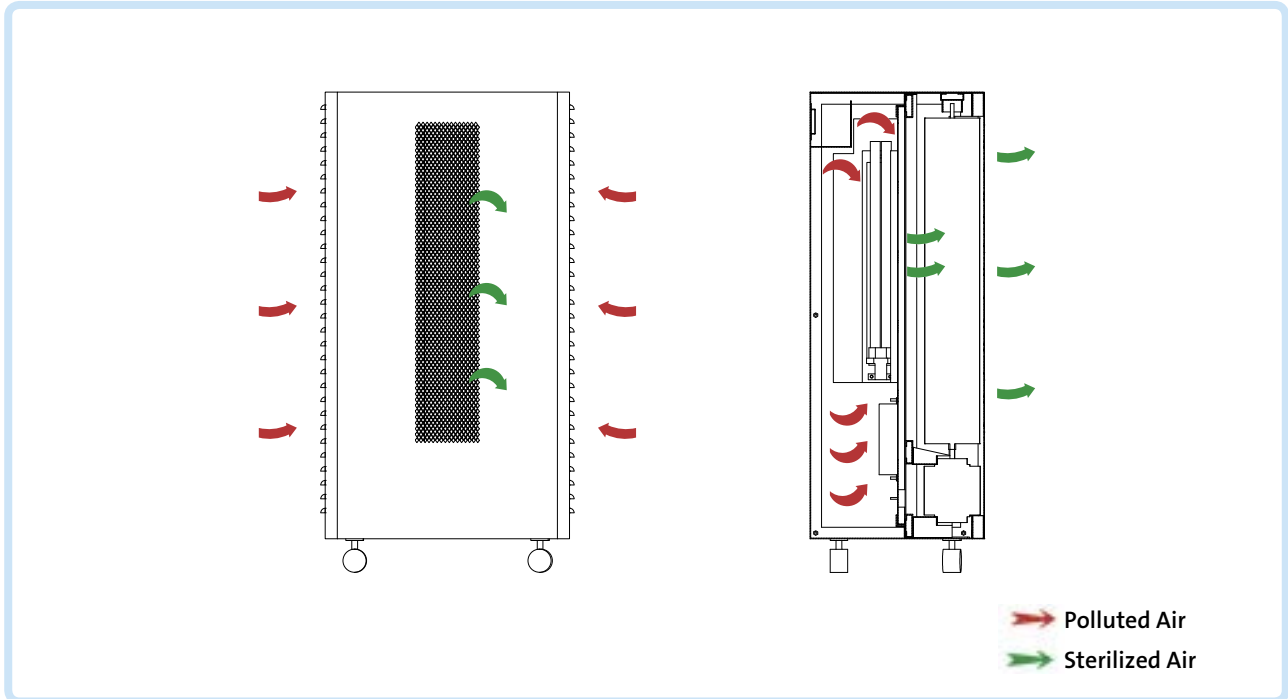
## 5. Technical Parameter

Model	UV Air Sterilizer
Power Supply	AC220V±10%; 50/60Hz
Temperature	-10°C ~ 40°C
Humidity	≤ 80%
Air Pressure	600hpa≈1060hpa
Applicable room	≤80m <sup>3</sup>
Circulating Air Volume	≥800m <sup>3</sup> /h
UV Leakage	≤5μw/cm <sup>2</sup> (30cm from the sterilizer)
Noise	≤55dB
Consumption	≤260W

According to the electric shock protection classification, product classifies as: Class II, Type B, general equipment.

# FagronLab™ UVGI-80

## 6. Functions and use



## 7. Installation

No need of any extra installation.

## 8. Operation

- Make sure that all windows and doors are closed during disinfection
- Plug in the power cord. Press the power Switch. The device is working

## 9. Attention

- Please read the instruction manual carefully before using the device
- The usage must be carried out in accordance with the rules stipulated in the manual
- It is forbidden to use in flammable and explosive places
- Doors & windows of the room should be closed during disinfection
- Power must be turned off during installation and maintenance
- It is strictly forbidden to cover or block the air inlet and air outlet of the device
- Do not insert anything into the device. It may cause fire or electric shock.
- Do not spill any liquid on the sterilizer
- The power should be turned off before cleaning the device
- During maintenance or cleaning, turn off the power to avoid UV rays from puncturing the skin and eyes
- The power supply used by this unit must be a single-phase three-core power supply with good grounding
- In order to reduce the risk of electric shock, do not disassemble the unit

# FagronLab™ UVGI-80

- Please unplug the device from the power and contact your local supplier, when the following occurs:
  - A** When the power cord or plug is damaged or worn
  - B** If liquid is spilled into the unit
  - C** If the sterilizer is being exposed to rain or water
  - D** If the sterilizer is broken or the frame is damaged
  - E** If the sterilizer changes significantly in performance
- The service life of the whole device is five years. If used for more than five years, the aging of components and power cords may cause personal safety accidents. A complete Service must be done after this period.
- Ultraviolet germicidal lamps should be used to detect the irradiance according to the time of use, and the irradiance of the radiation is  $<70\text{uW/cm}^2$  (power  $\geq 30\text{W}$ ). The UV germicidal lamp should be replaced regularly (lifetime more than 5000 hours)

## 10. Trouble Shooting

Error	Troubleshooting
Work indicator is not lit	Check the connection of power
	Check the fuse condition
UV light is not working	Check Ballast working condition 2A ( $\Phi 5 \times 20$ )
	UVC lamp is damaged
Fan is not working	Check the fan motor
	Check the fan power connection

## 11. Maintenance

- UV life-time is 5000hours. Please replace the UV lamp in time according to your personal disinfection plan
- To store the device, unplug from power and cover with a clean cloth

## 12. Warranty

This device is under warranty and free from defects in materials and workmanship, under normal use and service, for a period of 12 months from the date of invoice (excluding consumable accessories). The warranty is extended only to the original purchaser. Warranty is not valid on device which has been damaged on account of improper installation, improper connections, misuse, accident or abnormal conditions of operation. If the warranty has been expired, Fagron would still responsible for repair with relative charges.

**For claims under the warranty please contact your local supplier.**

## 13. Service

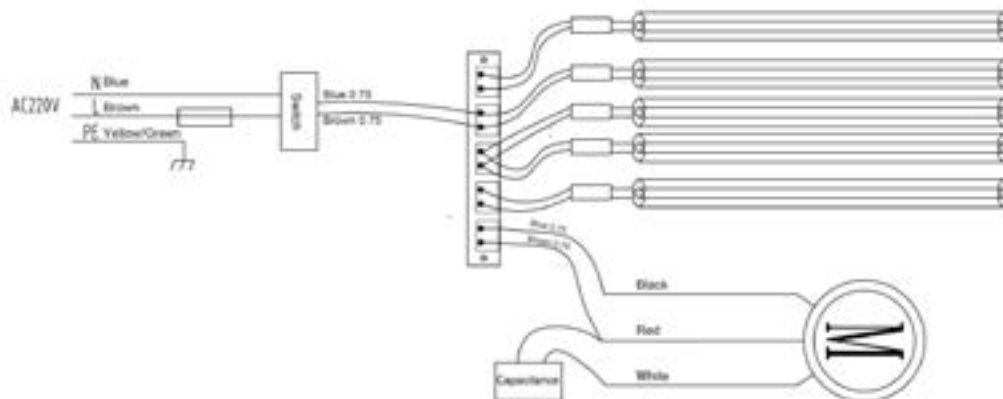
In case of any problem, you can always contact the Service Department for technical support. Please provide the customer care representative with the following information:

- Description of problem
- Serial Number of the device
- Methods and procedures adopted to resolve the problems
- Your contact information

## 14. Transportation and Storage

The transportation should avoid rain, mechanical collision and mixing with corrosive gas substances. The machine should be stored in a dry, well-ventilated, non-corrosive gas warehouse.

## 15. Circuit diagram



Together  
we create the future  
of personalized medicine.



**Fagron Hellas**  
12 km N.R. Trikala - Larisa  
P.C. 42100, P.O. Box 32  
Trikala, Greece

T +30 24310 83633-5  
F +30 24310 83615  
[www.fagron.gr](http://www.fagron.gr)

 **FagronLab™**